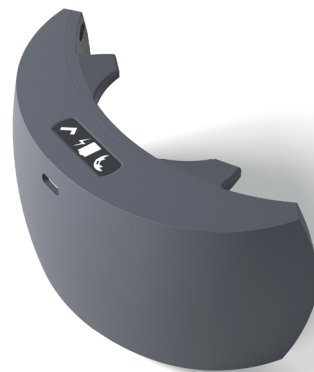


GEOSATIS

securing people

GPS BRACELET AND MOBILE CHARGER

GEOSATIS offers the most secure, reliable and convenient one-piece GPS device on the market - combining a unique, robust and easy-to-use toroidal shape design with state-of-the-art secure and precise locationing technologies.



Bracelet

Secure

- Patented titanium reinforced design
- Military grade encryption protocols
- Tamper detection

Reliable

- Multiple geo-tracking technologies: GNSS, cellular network locationing
- Multiple GSM cellular carriers for data communication
- Design requires no straps; eliminating strap tamper alarms and minimizing overall tamper alarms

Convenient

- Tool-free, no consumables, remote opening
- Quick installation / removal (< 15 sec)
- 30+ hour battery operation on a full charge

Mobile Charger

Convenient

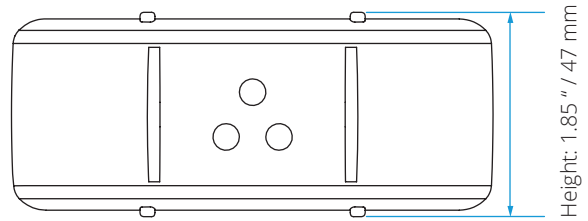
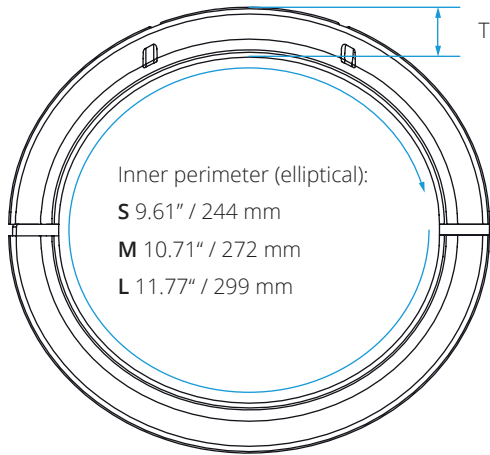
- Quick and easy installation onto GPS bracelet
- Charged using micro-USB cable: separately or simultaneously with GPS bracelet
- Charging progress visualized on LCD display

Mobile

- Attaches to GPS bracelet for charging on-the-go
- No need to be tethered to a wall
- 2-3 hours to full charge

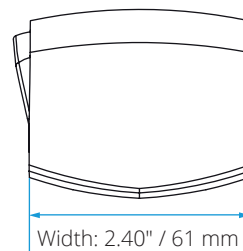
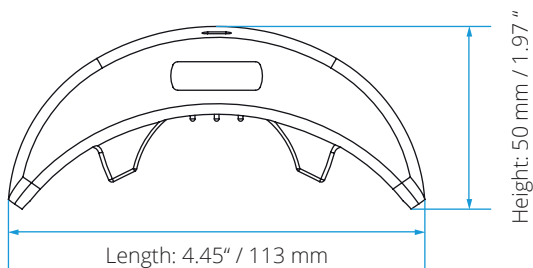
GEOSATIS offers secure, reliable, convenient and cost-effective offender monitoring technology for the community supervision of parolees, probationers and defendants; and works with criminal justice agencies to enhance public safety, improve offender rehabilitation and reduce recidivism.

GPS BRACELET



Weight	S 6.53 oz / 185 g M 6.74 oz / 191 g L 7.02 oz / 199 g	Memory storage	Minimum 30 days
SIM Card	Multiple GSM carriers	Firmware updates	Over-the-air
GNSS	GPS + Galileo + GLONASS + BeiDou (up to 2 active concurrently)	Location accuracy	9.84 ft / 3m (open air)
Charging time	Empty-to-full: 90-120 minutes	Battery operational life	3 years (full time use)
IP Rating	IP 68 Waterproof (16.40 ft / 5 m)	Certifications	CE, FCC

MOBILE CHARGER



Weight	5.04 oz / 143 g	Firmware updates	When connected to the GPS bracelet
Charging time	2-3 hours via provided micro-USB cable	Battery overall lifetime	3 years (full time use)
IP Rating	IP 67 Water-resistant	Certifications	CE, FCC